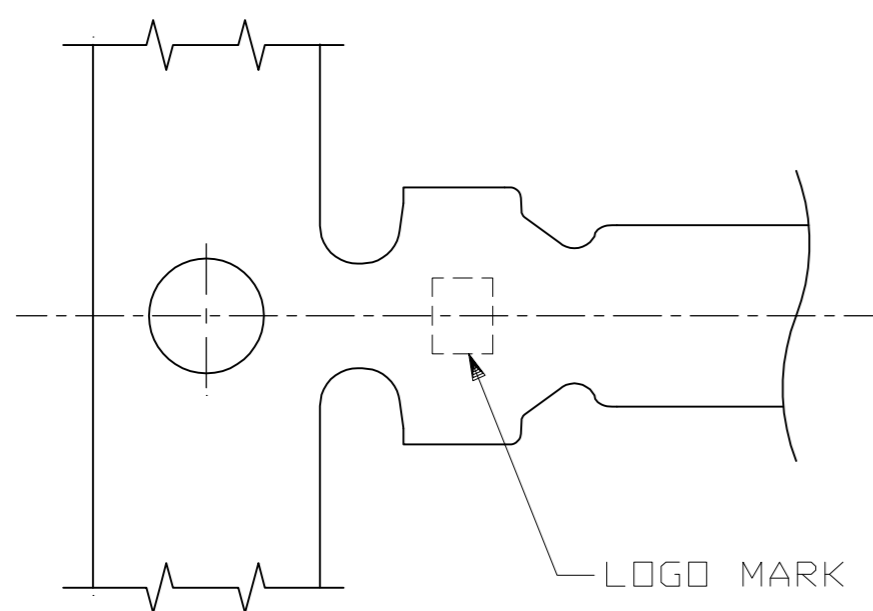
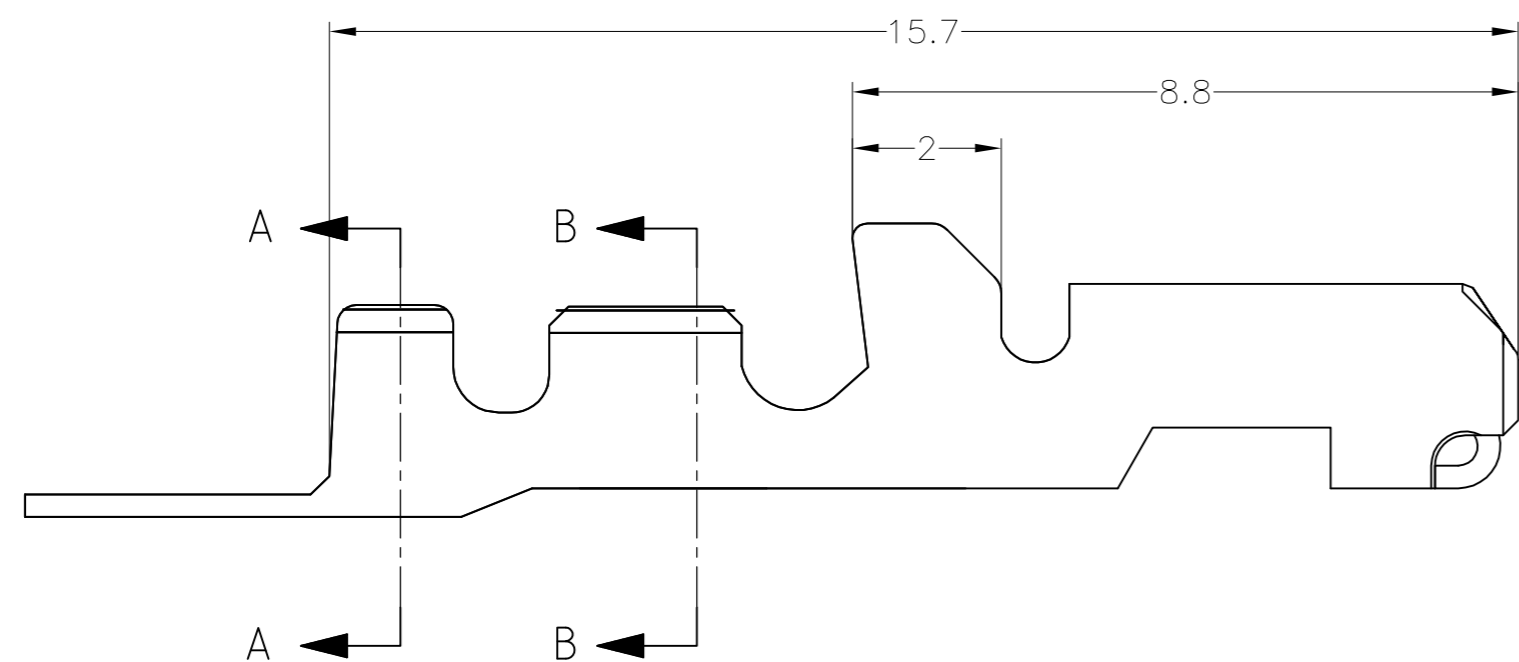
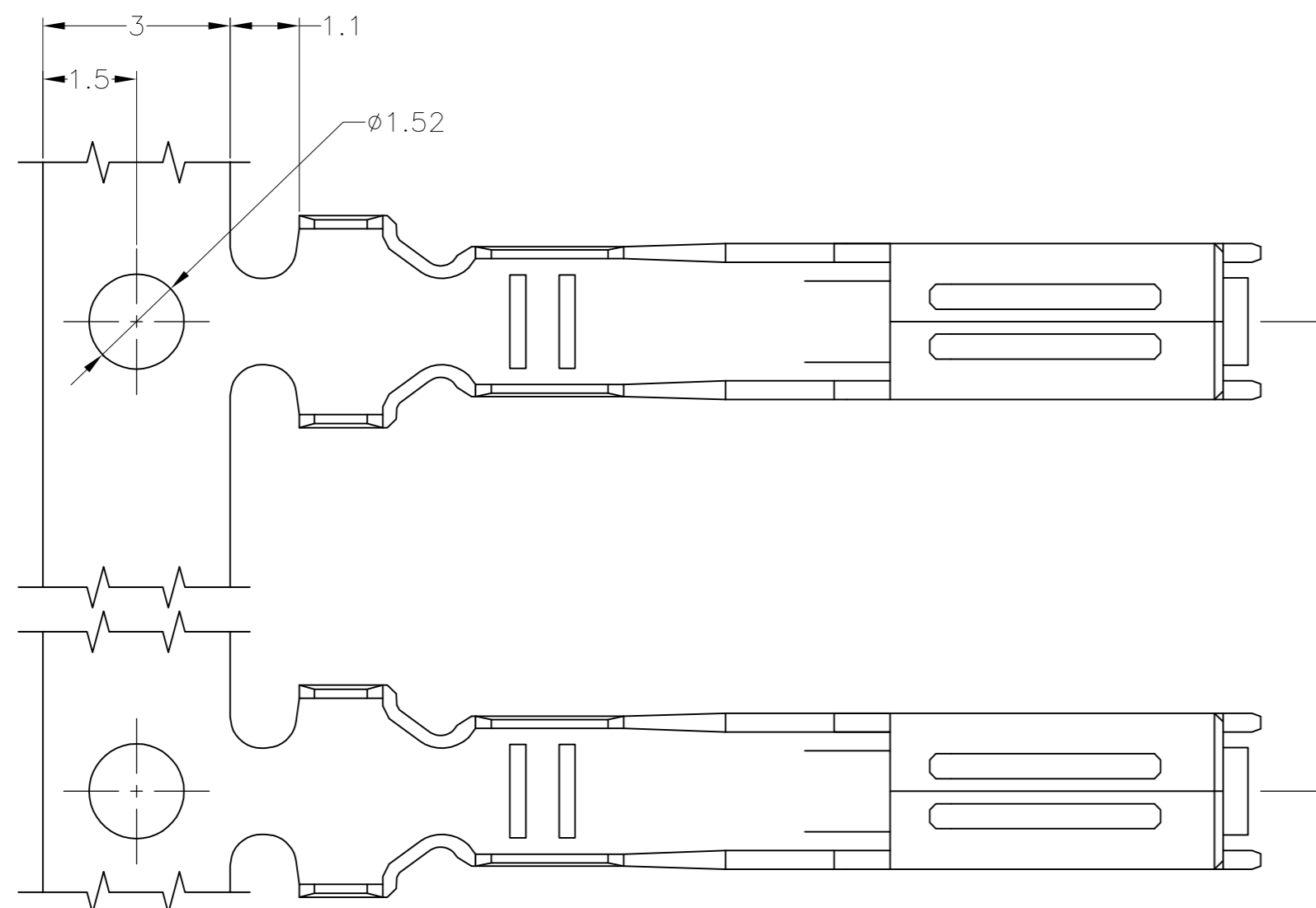
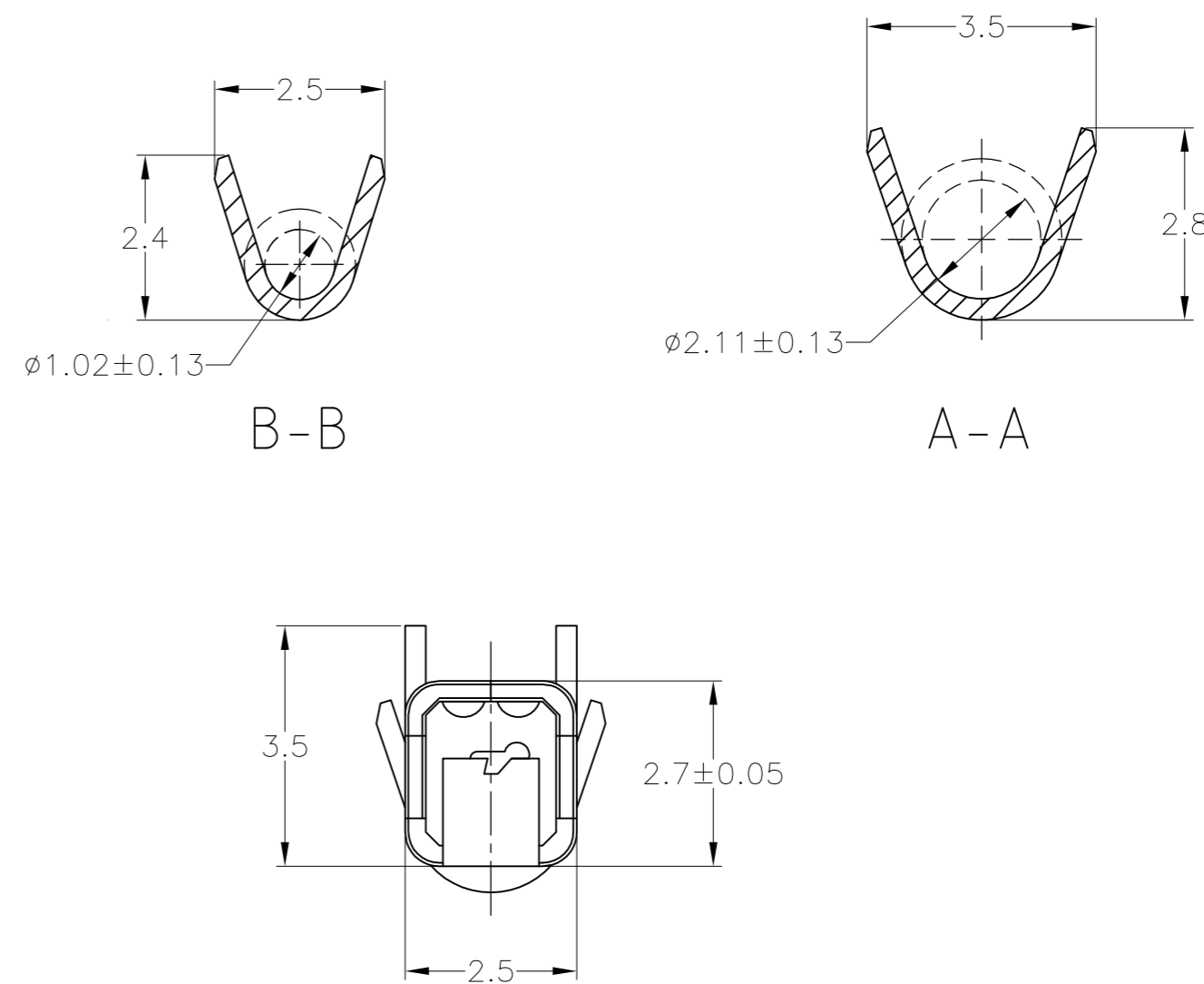


THIS DRAWING IS UNPUBLISHED. RELEASED FOR PUBLICATION
 © COPYRIGHT - By - ALL RIGHTS RESERVED.

LOC	DIST	REVISIONS					
		P	LTR	DESCRIPTION	DATE	DWN	APVD
J	-	D1		REVISED PER ECO-11-005140	28MAR11	RK	HMR



- 1. FINISH: 0.00250 MIN THK BRIGHT TIN OVER
0.00040 MIN THK COPPER
- 2. DESIGNED TO MATE WITH 1.50 × 0.82 TIN PLATE BLADE
- 3. WIRE RANGE: 22-18 AWG
INSULATION DIAMETER RANGE: 1.1-2.25



776001-1
PART NUMBER

THIS DRAWING IS A CONTROLLED DOCUMENT.		DWN T.SHINOHARA 14JAN03	STE TE Connectivity	
DIMENSIONS: 單位: 轉 mm		CHK K.BETSUI 14JAN03		
TOLERANCES UNLESS OTHERWISE SPECIFIED: 一般公差		APVD K.BETSUI 14JAN03	NAME 名稱	
0 PLC ± - 1 PLC ± 0.25 2 PLC ± 0.15 3 PLC ± - 4 PLC ± - ANGLES ± -		PRODUCT SPEC 製品規格 108-1452	RECEPTACLE TERMINAL 1.5MM SERIES OBD CONNECTOR	
MATERIAL 材料 BRASS C26000, TEMP 4, 0.300±0.010 THK		FINISH 仕上	APPLICATION SPEC 取付適用規格 114-2136	RESTRICTED TO -
		WEIGHT -	SIZE A2	CAGE CODE 00779
		FINISH 仕上	DRAWING NO 番号 C=776001	SCALE 尺度 10:1
		FINISH 仕上	CUSTOMER DRAWING	SHEET 1 OF 1
		FINISH 仕上	SCALE 10:1	REV D1